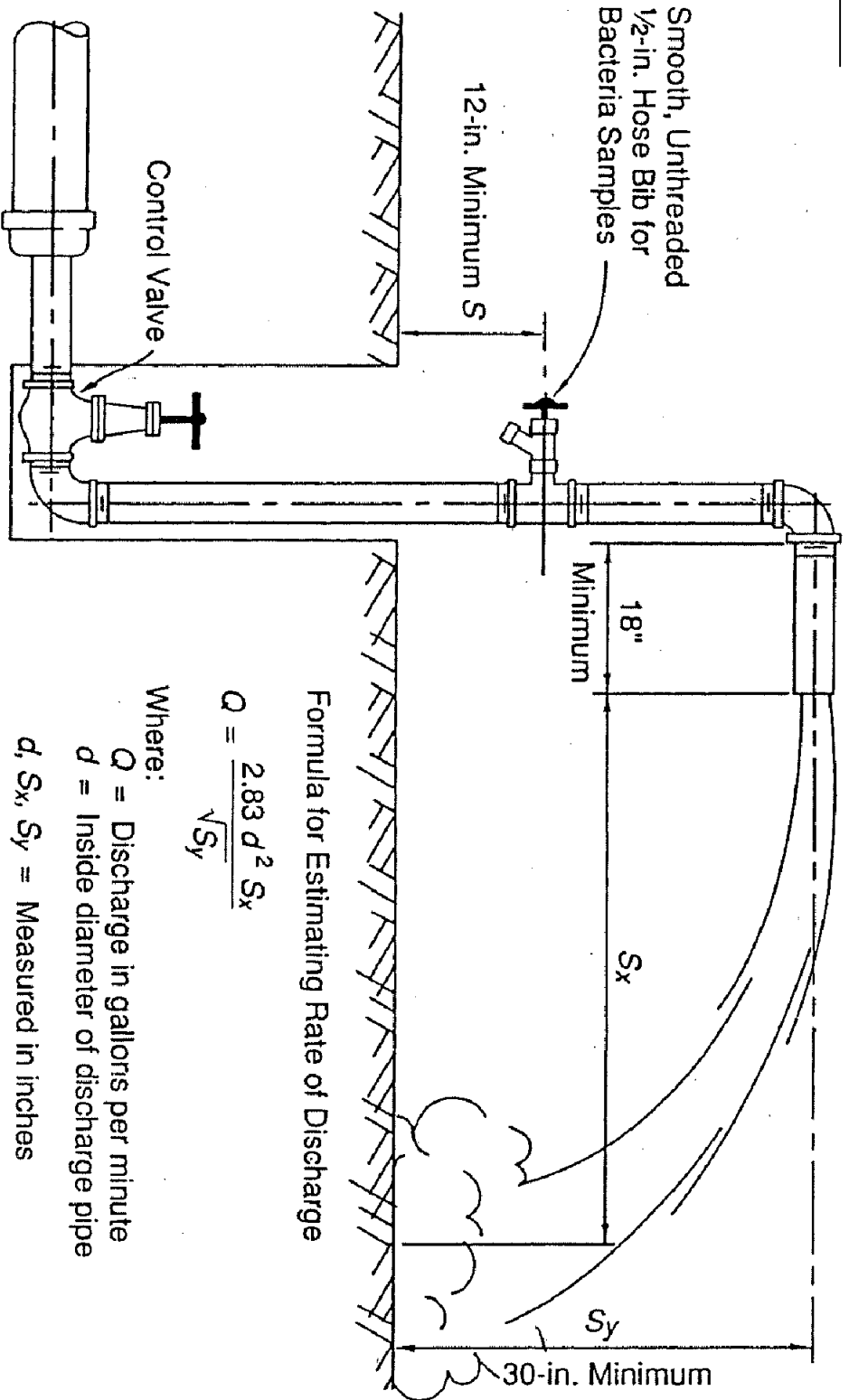


FIGURE 2



Formula for Estimating Rate of Discharge

$$Q = \frac{2.83 d^2 S_x}{\sqrt{S_y}}$$

Where:

- Q = Discharge in gallons per minute
- d = Inside diameter of discharge pipe
- d, S_x, S_y = Measured in inches

Incorporates Errata dated June 2005 and March 2006.
 Note: This figure applies to pipes up to and including 8-in. (200-mm) diameter.

COMBINATION BLOWOFF AND SAMPLING TAP