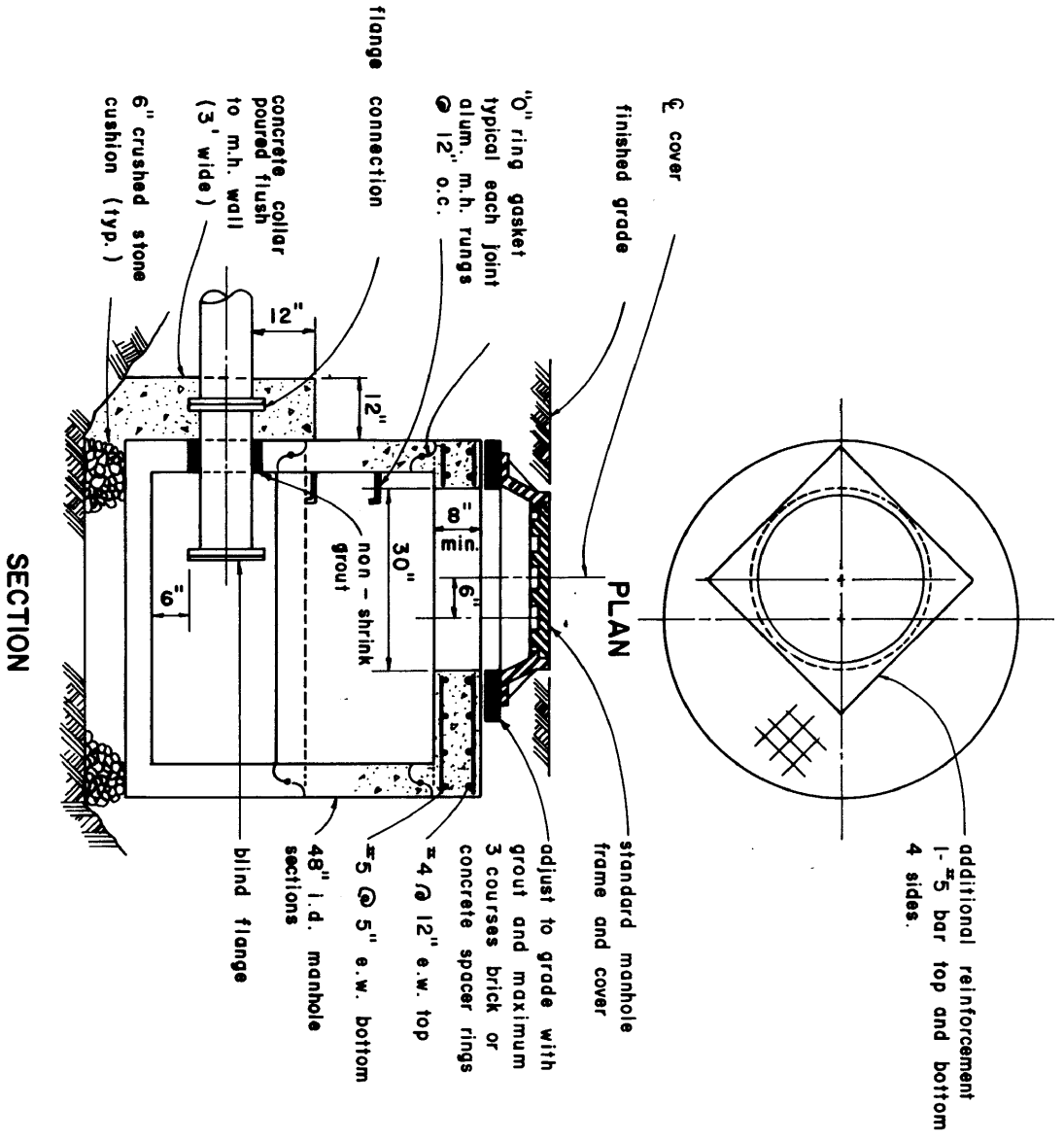
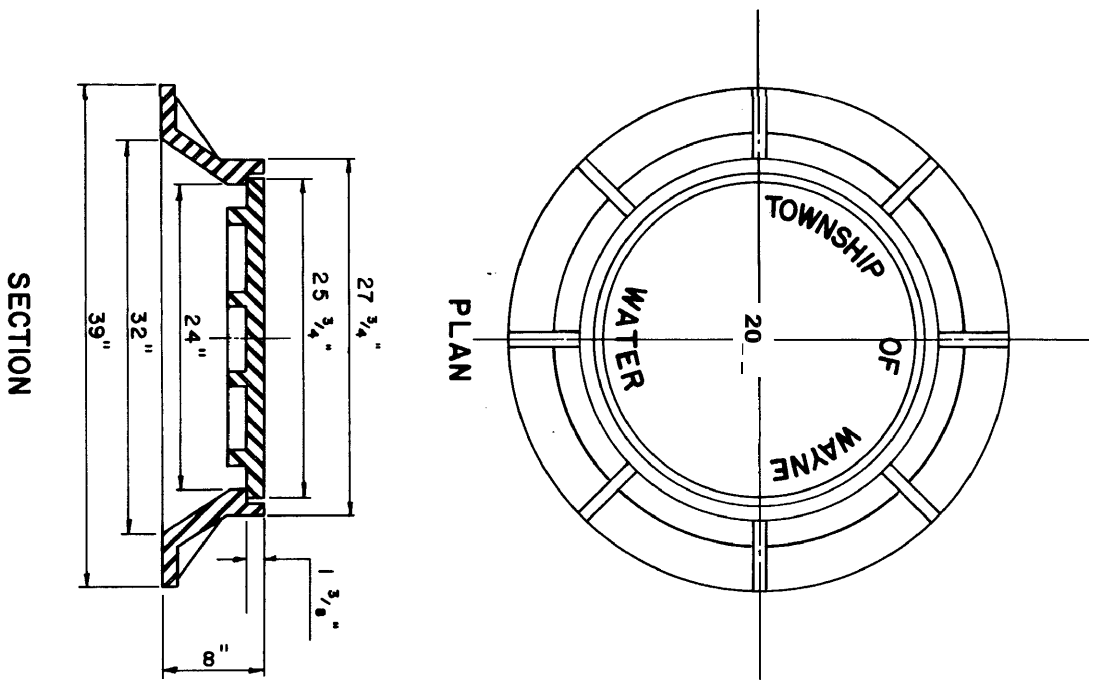


BASED ON WAYNE TOWNSHIP DETAIL DATED 6/03, 10/04 AND 12/05

**WATER MAIN  
LOCATION MANHOLE**  
not to scale



**TYPICAL MANHOLE  
FRAME AND COVER**  
not to scale



A.E. QUINN MHR 425 OR APPROVED EQUAL