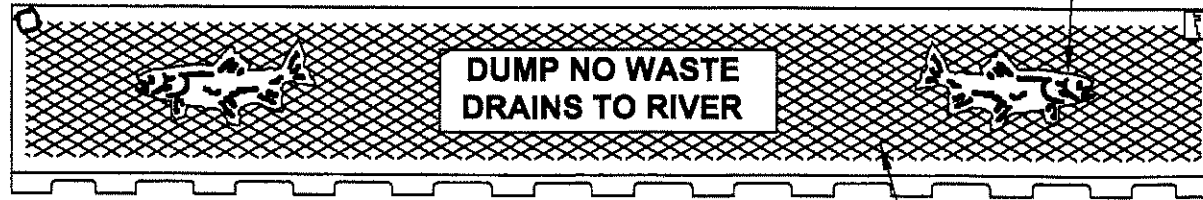
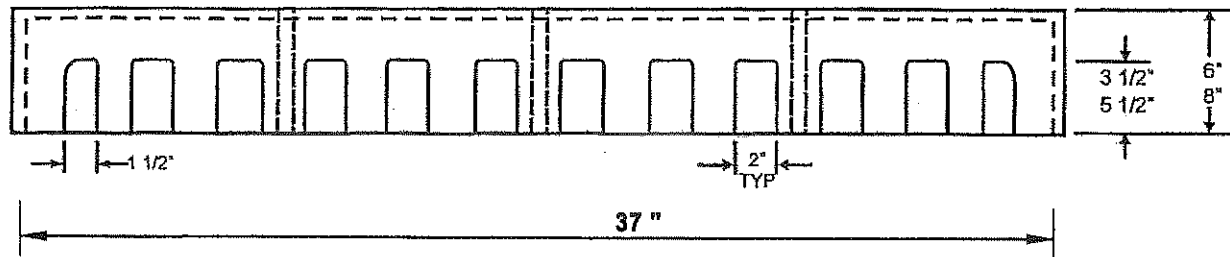


# BICYCLE SAFE GRATES (CAST IRON)

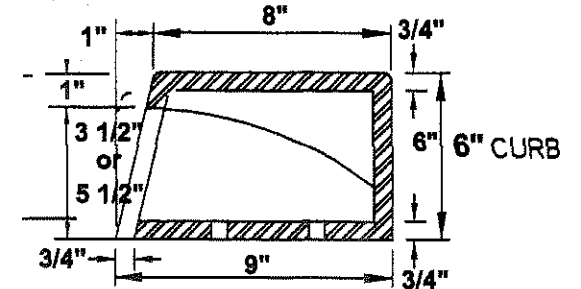
3D Brook Trout Design



**PLAN**  
Diamond Design Skid-Resistant Surface 2" TYP.



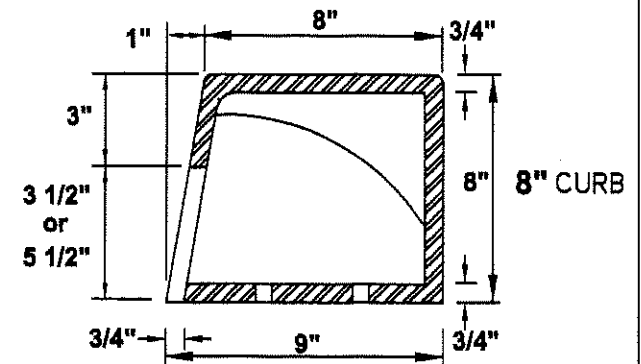
**FRONT ELEVATION**



**END SECTION**

# TYPE J ECO CURB PIECE

(CAST IRON)



CONSTRUCTION DETAILS		
TYPE J ECO CURB PIECE		
Township of Wayne		
DIVISION OF ENGINEERING		
475 VALLEY ROAD, WAYNE	PASSAIC COUNTY	N.J. 07470
JOB FILE NO:	SHEET 1	OF 1